


Flush Pulls for Lift Slide Handles

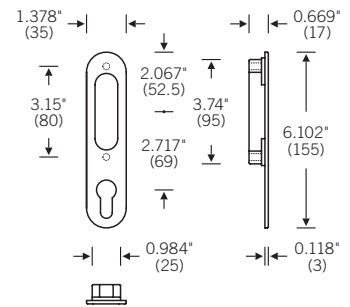
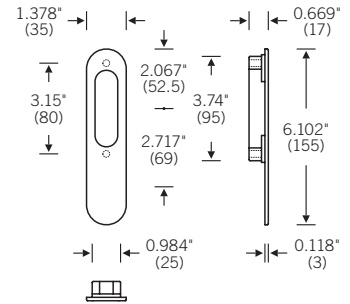
42 4215 



42 4215 00000 (without keyhole)
42 4215 00002 (with profile cylinder keyhole)

Must be used with 34 1016 or 34 1146 found on page 16.

M6 threaded screws



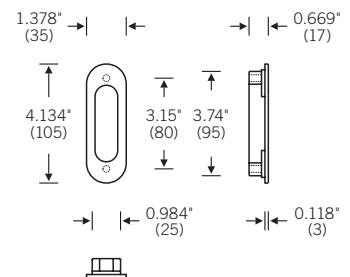
42 4215 01000 



Flush Pull

Must be used with 34 1016 or 34 1146 found on page 16.

M6 threaded screws



All details subject to modification

2014/01