

# Sliding

## ESL and EPL Series

FR

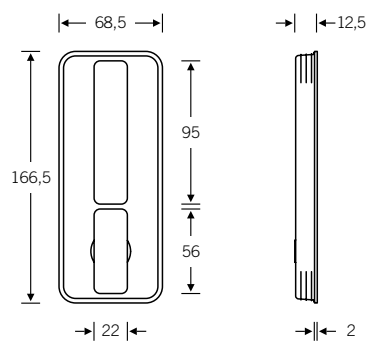
42 4262



00008 (lockable)

Not turnable grip section (top), tilts in both directions, turnable thumbturn (bottom), for single and double sliding doors\*, for bolt lock

Area routed out: 163 × 65 mm



FR

42 4260



00000 (non-lockable)

Fixed grip section, tilts in both directions, for single and double sliding doors

Area routed out: 163 × 65 mm

