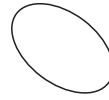


Pull Handles

Oval Series

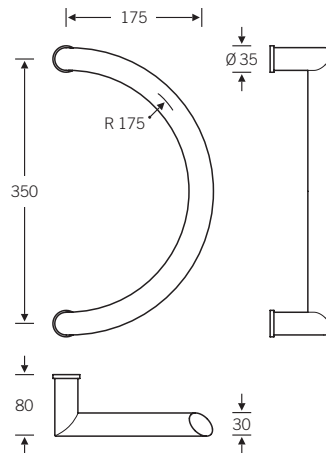


66 6652 ■



Handle models FSB 6650 (inline), FSB 6682 (U-shape), FSB 6652 (semicircular) and FSB 6685 (triangular) are living proof that tested designs featuring new oval cross-sections have the edge over their round counterparts both optically and in terms of gripping ergonomics. The hand glides effortlessly around them.

Handle cross-section $\varnothing 36 \times 22$ mm
 Safety clearance $S = 53$ mm
 Fastening M8



Fastening Methods (Details on page 68/69)

- A** Back-to-Back
- B** Through-Bolted
- C** Concealed - Threaded Insert
- D** Concealed - Drop Clamp

All details subject to modification