

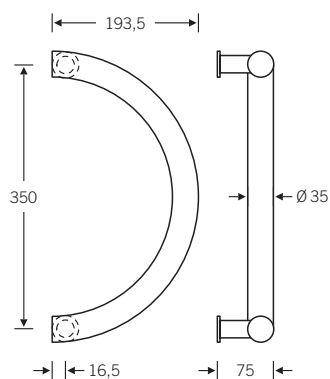
# Pull Handles

## Round Series



66 6655 

Handle cross-section  $\varnothing$  35 mm  
Safety clearance S = 55 mm  
Fastening M8



All details subject to modification

### Fastening Methods (Details on page 68/69)

- A** Back-to-Back
- B** Through-Bolted
- C** Concealed - Threaded Insert
- D** Concealed - Drop Clamp